

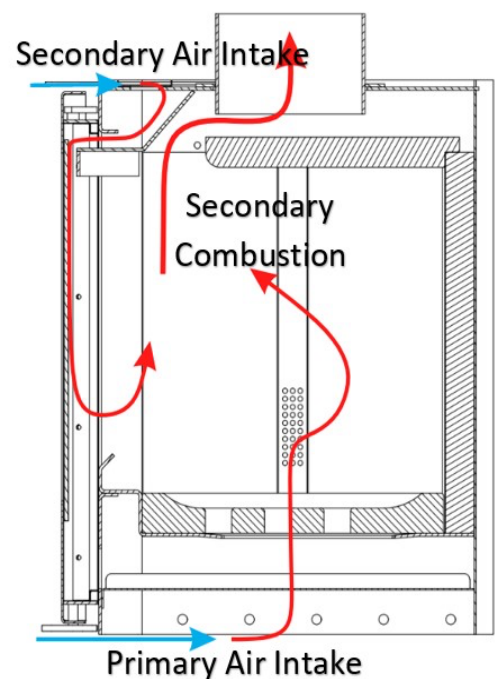
Van Gogh



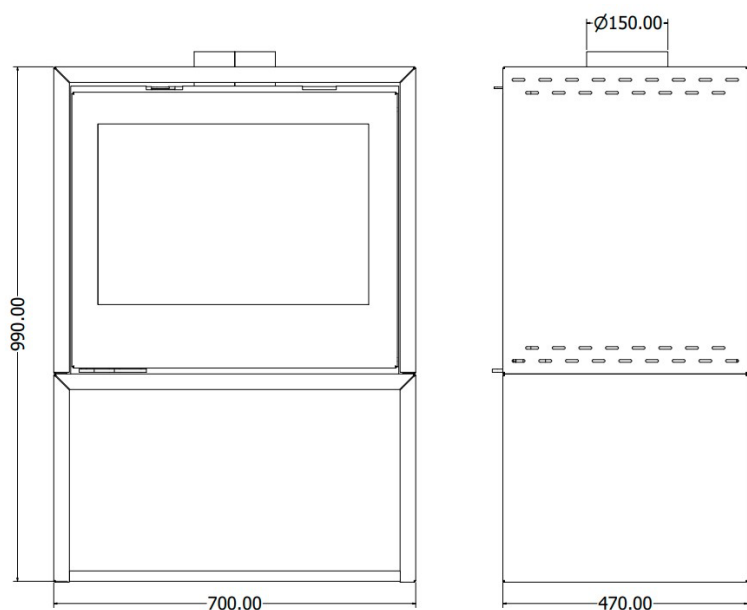
900 Van Gogh Free Standing

Advanced technology and aesthetic appeal coming together in perfect harmony

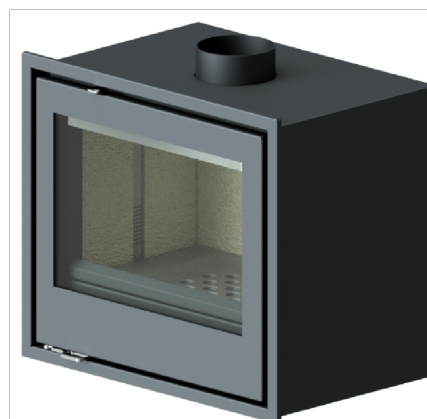
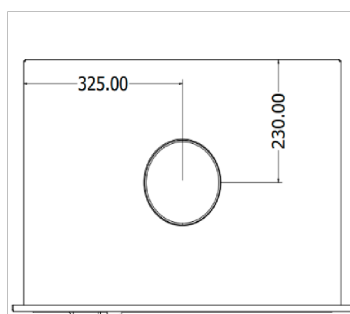
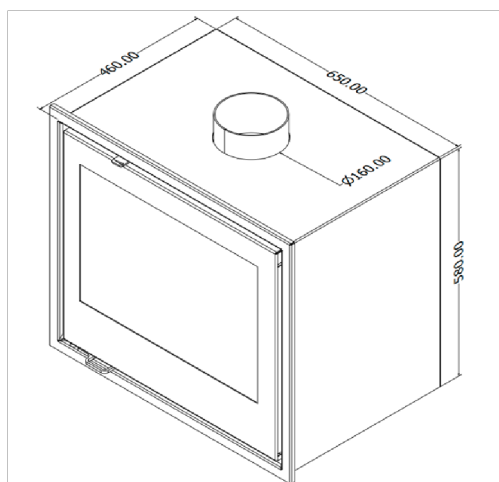
This state of the art combustion fireplace features not only the latest in secondary combustion technology but also marks a new age in the aesthetic display, making it one of the most powerful built-in units on the market. The plasma look alike glass door will enhance any interior creating a perfect picture of flame display. The combustion chamber is lined with a vermiculate bricks raising the combustion temperature to the optimum. This excellent combustion uses the calorific value of the fuel five times better than an open fireplace. The stainless controls allow precise regulation of airflow to the fire, whilst the pre-heated secondary air creates an air-wash system preventing soot build-up on the glass. True to its engineering brilliance, this unit has a powerful output of 10kW - 16kW while the efficient secondary combustion ensures optimal fuel usage and very low carbon admissions. This unit is available in a 700 and 900mm. Also available in a double sided option, wall mount and convection box.



700mm Free Standing



700mm Build-in



700 Van Gogh Single Sided

Convection Box

Free Standing

Build-In

	10 - 13 kW	10 - 13 kW	9 - 12 kW
	80 - 150 m ²	80 - 150 m ²	80 - 120 m ²
	110 kg	125 kg	115 kg
	590 mm	990 mm	580 mm
	700 mm	700 mm	650 mm
	470 mm	470 mm	460 mm
	Ø 150 mm	Ø 150 mm	Ø 150 mm

Wall mount option (convection box)

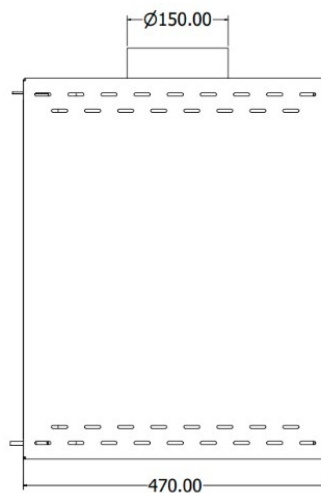
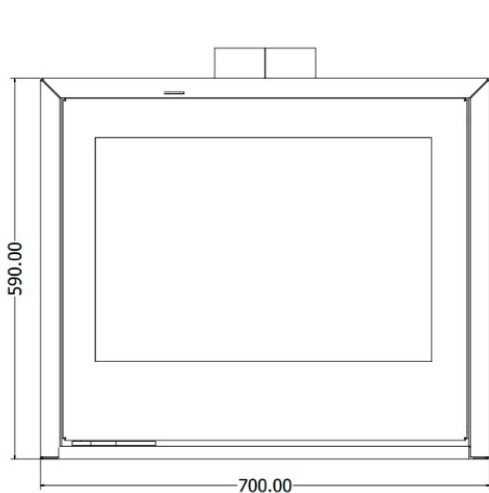


700 Van Gogh Convection - Wall Mount

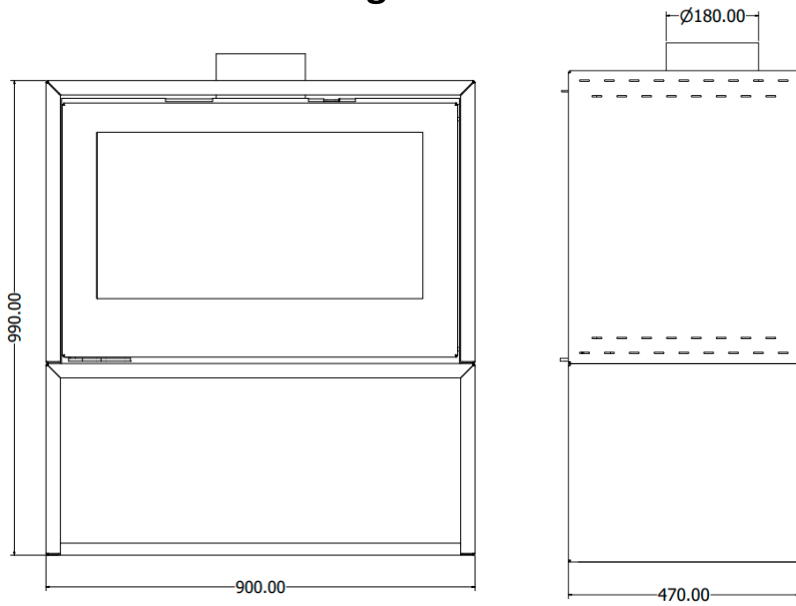
A simple statement of the perfect flame picture

The wall mounted Van Gogh uses the same tried and trusted fireboxes as the convection unit. This model is designed to be mounted to the wall creating an immaculate piece of fireplace furniture for the discerning home owner. The added convection enhances the heating capacity whilst the vermiculate lined fire chamber ensures the optimum combustion temperature.

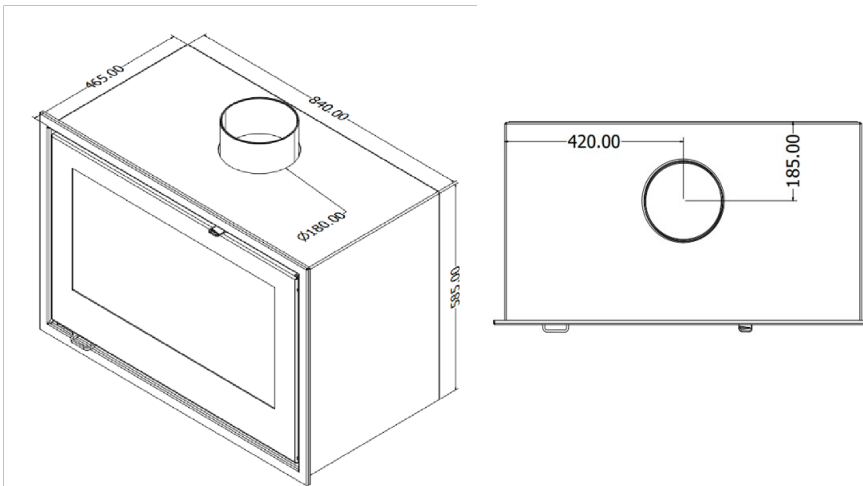
The wall mounted Van Gogh is available in a 700 and a 900 mm.








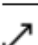

900mm Free Standing



900mm Build-in



900 Van Gogh Single Sided Convection Box

	Free Standing	Build-In
	12 - 16 kW	12 - 14 kW
	100 - 200 m ²	100 - 180 m ²
	126 kg	132 kg
	590 mm	585 mm
	900 mm	840 mm
	470 mm	465 mm
	Ø 180 mm	Ø 180 mm

700 Van Gogh Double Sided



Endlessly fascinating

700 Van Gogh Double Sided Build-in

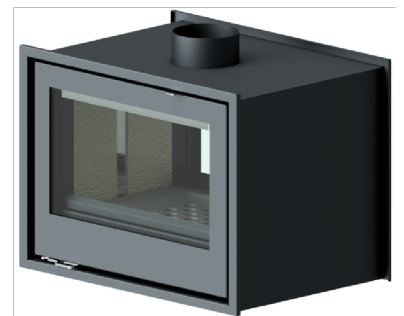
The Double sided Van Gogh is ideal for South Africa's large open living spaces. This unit creates the perfect room divider and will be the heart of every home. The flame picture gives a real feeling and ambiance of an open wood fire, totally relaxing and always comforting. The doors on both sides ensures hassle free cleaning and easy kindling of the fire. Available in a 700 and a 900 mm as well as a freestanding and convection box option.



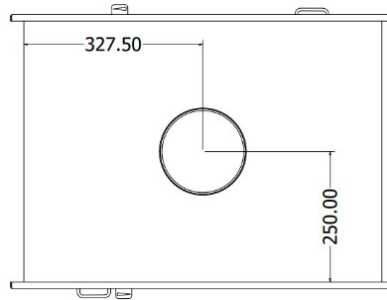
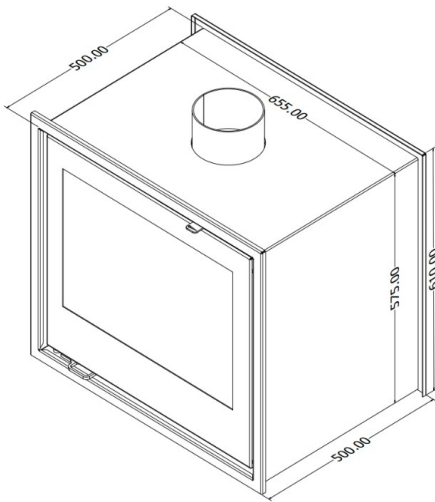
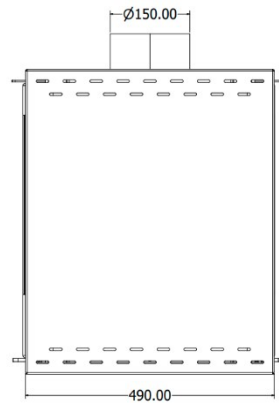
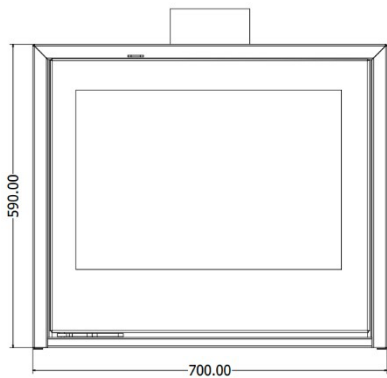
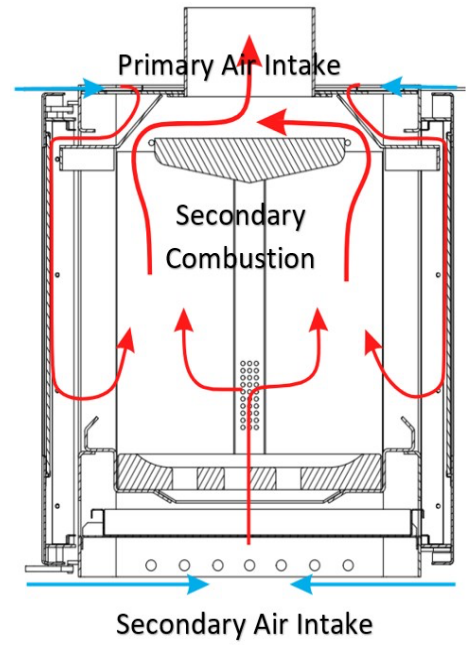
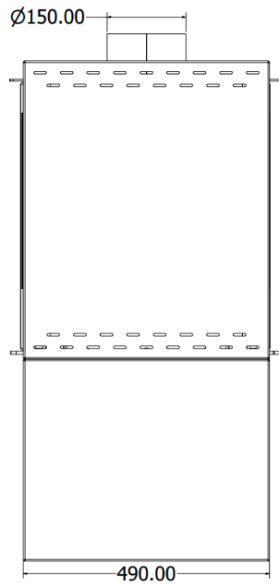
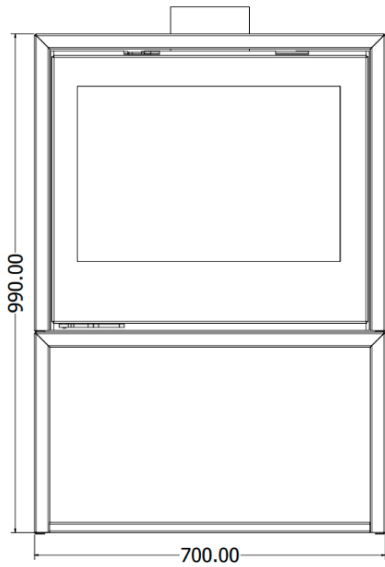
Free Standing



Convection box



Build-in



700 Van Gogh Double Sided

Convection Box

Free Standing

Build-In

	10 - 13 kW	10 - 13 kW	9 - 12 kW
	80 - 150 m ²	80 - 150 m ²	80 - 120 m ²
	105 kg	118 kg	110 kg
	590 mm	990 mm	610 mm
	700 mm	700 mm	655 mm
	490 mm	490 mm	500 mm
	Ø 150 mm	Ø 150 mm	Ø 150 mm

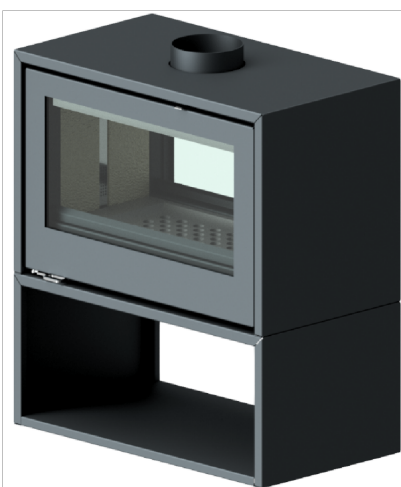
900 Van Gogh Double sided



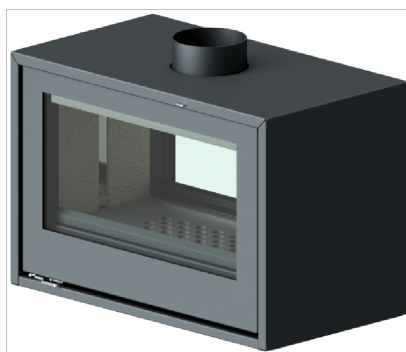
900 Van Gogh Double Sided Free Standing

This powerful unit can be purchased with or without a log holder. This fireplace would be ideally placed between 2 adjoining rooms or in the centre of a large entertainment area.

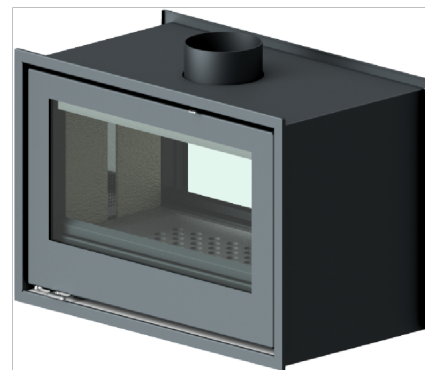
It features 2 large viewing windows, giving you a great view of the fire. With all the latest clean burn technology it will enhance your lifestyle and form the heart of your home. Convection heating and secondary combustion reignite the products of combustion to ensure a clean burn. The air wash system on the glass keeps glass soot free. Features a vermiculite firebrick lining and a moulded chamotte grate that will not distort over time.



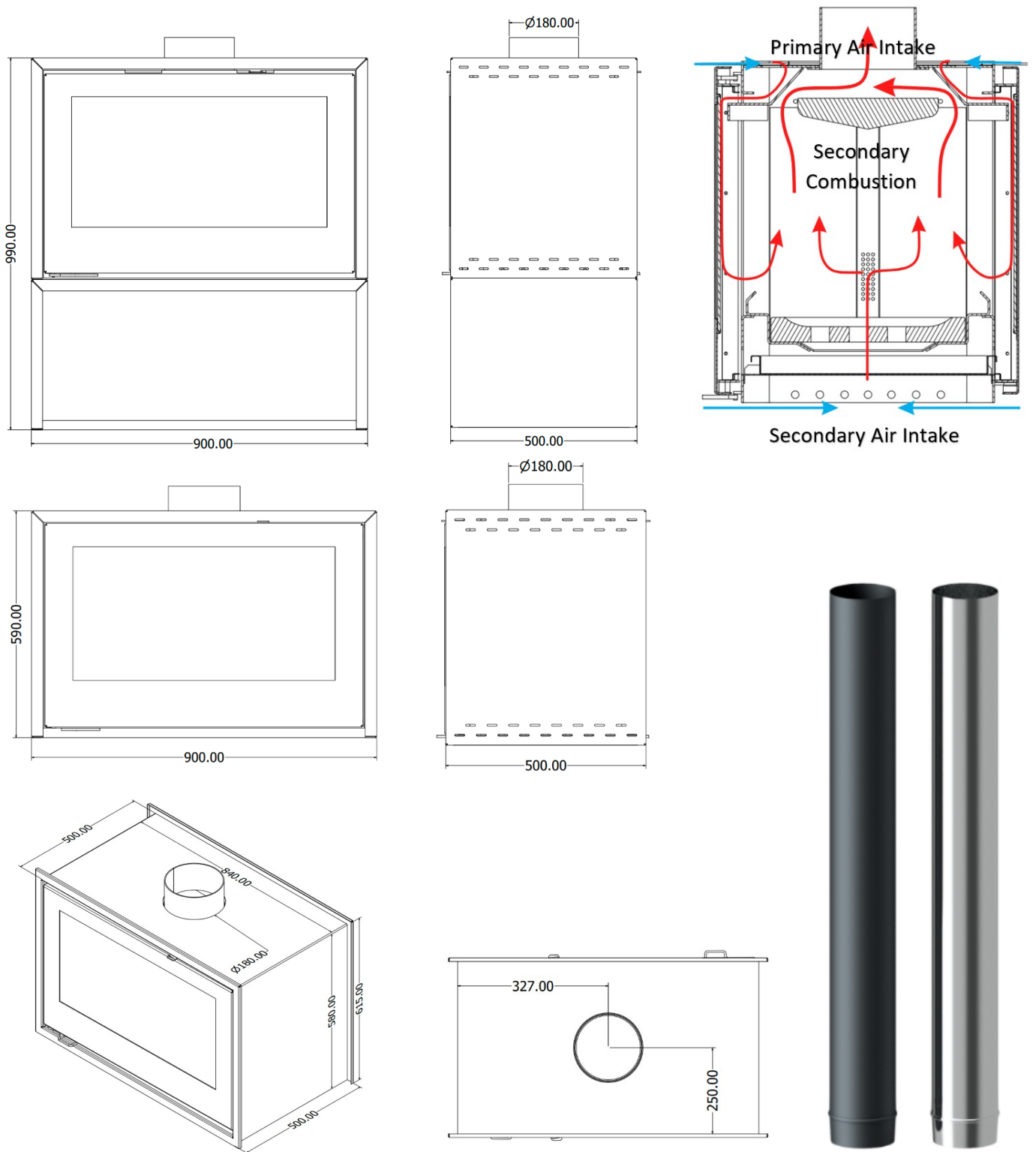
Free Standing



Convection box







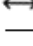
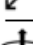

Build-in



900 Van Gogh Double Sided Convection Box

Free Standing

Build-In

	12 - 16 kW	12 - 16 kW	12 - 14 kW
	100 - 200 m ²	100 - 200 m ²	100 - 180 m ²
	120 kg	140 kg	122 kg
	590 mm	990 mm	580 mm
	900 mm	900 mm	840 mm
	470 mm	470 mm	500 mm
	Ø 180 mm	Ø 180 mm	Ø 180 mm